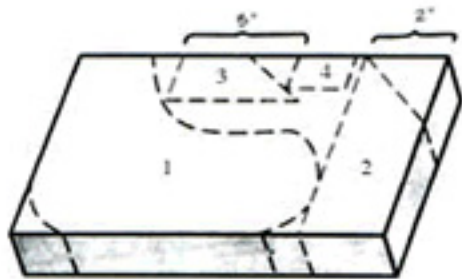
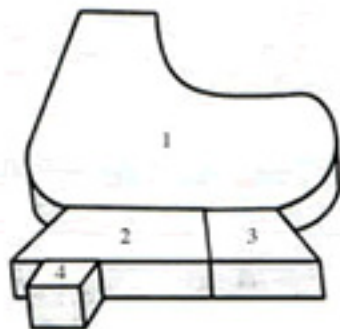


## Cutting and Assembling In-Line Skate Cake



Cut a 2-inch-wide strip from one end of cake; trim end at diagonal for back bend of Wheel case. Cut remaining piece of cake to form boot; front end of wheel case and brake stop.



Arrange pieces to form in-line skate.